



Installation instructions, accessories

Volvo Car Corporation Gothenburg, Sweden

Instruction No	Version	Part. No.
31373625	1.0	31359328

Electric engine heater, 110 V



IMG-378205



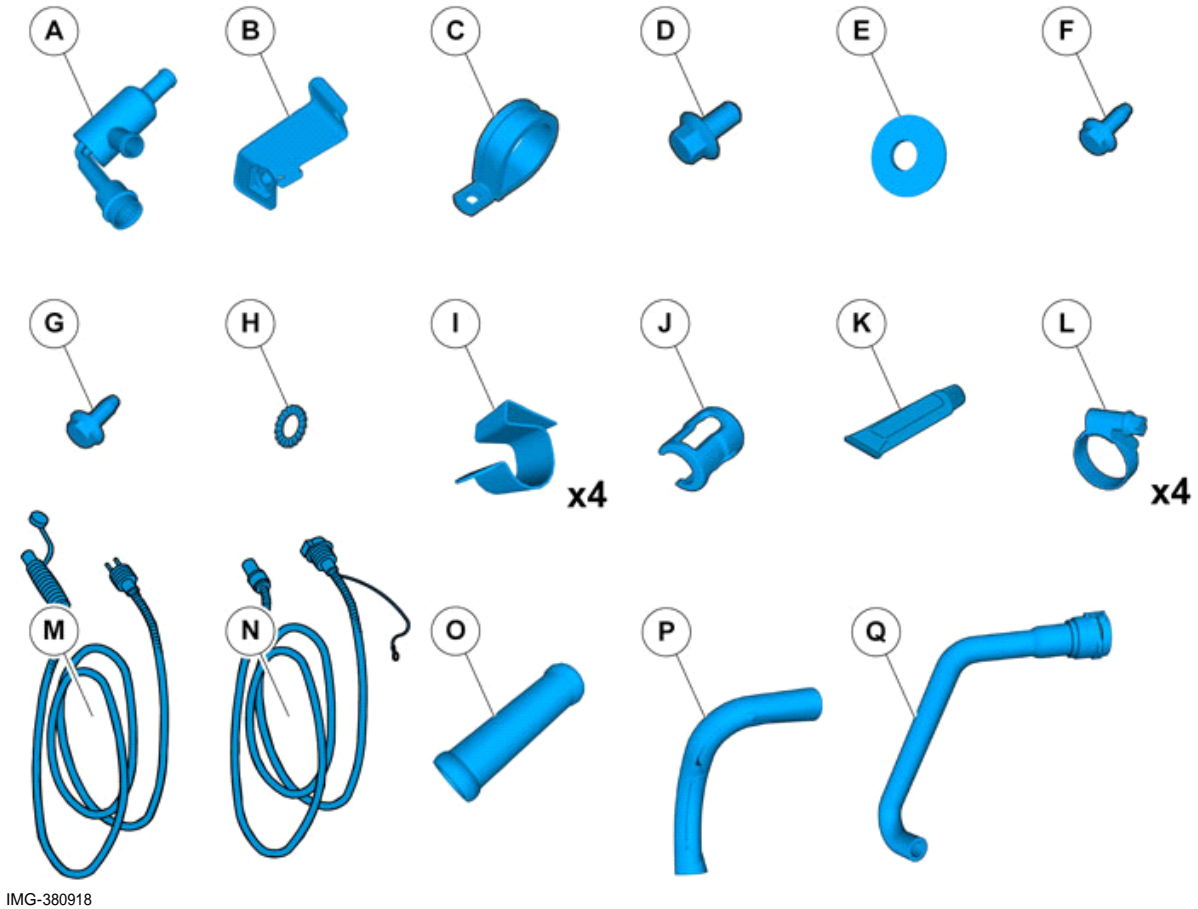
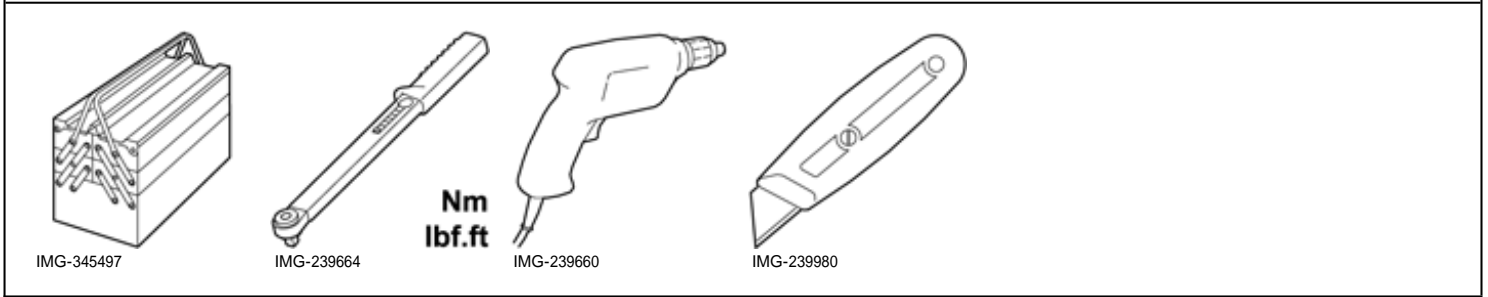
Installation instructions, accessories

Volvo Car Corporation Gothenburg, Sweden

Materials

Designation	Part number
soap solution	
Grease	1161761

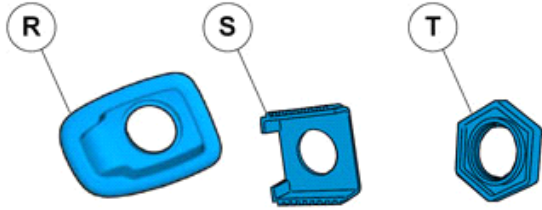
Equipment





Installation instructions, accessories

Volvo Car Corporation Gothenburg, Sweden



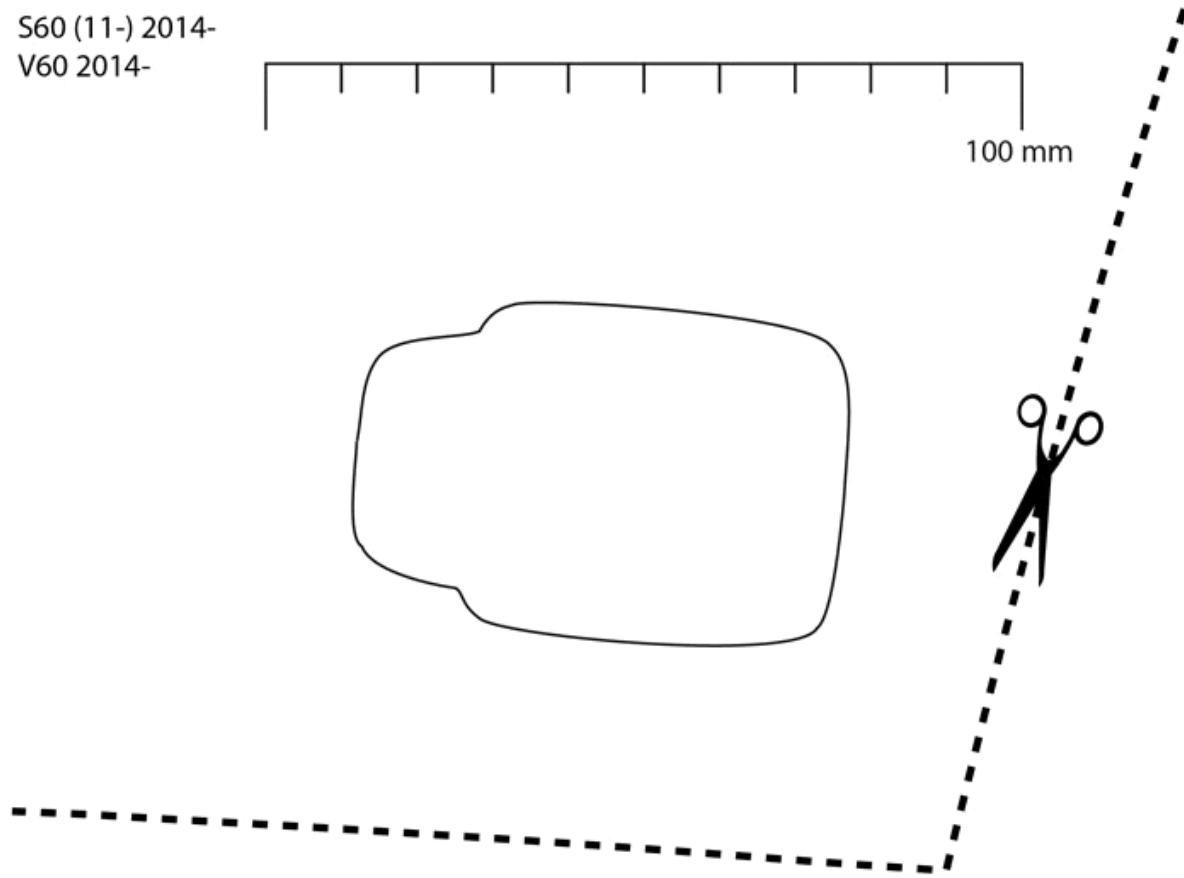
IMG-380920



Installation instructions, accessories

Volvo Car Corporation Gothenburg, Sweden

S60 (11-) 2014-
V60 2014-



IMG-378047



Installation instructions, accessories

Volvo Car Corporation Gothenburg, Sweden

Information

1

Read through all of the instructions before starting installation.

Notifications and warning texts are for your safety and to minimise the risk of something breaking during installation.

Ensure that all tools stated in the instructions are available before starting installation.

Certain steps in the instructions are only presented in the form of images. Explanatory text is also given for more complicated steps.

In the event of any problems with the instructions or the accessory, contact your local Volvo dealer.

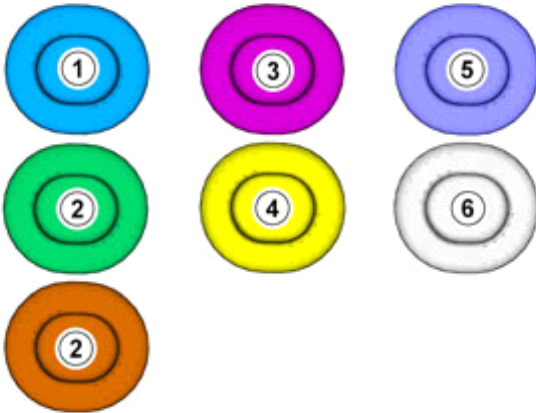
Conditions

2

When installing, the car must retain a temperature of 20 degrees C.

Color symbols

3



IMG-363036

Note!

This colour chart displays (in colour print and electronic version) the importance of the different colours used in the images of the method steps.

- Used for focused component, the component with which you will do something.
- Used as extra colors when you need to show or differentiate additional parts.
- Used for attachments that are to be removed/installed. May be screws, clips, connectors, etc.
- Used when the component is not fully removed from the vehicle but only hung to the side.
- Used for standard tools and special tools.
- Used as background color for vehicle components.

Removal



Installation instructions, accessories

Volvo Car Corporation Gothenburg, Sweden

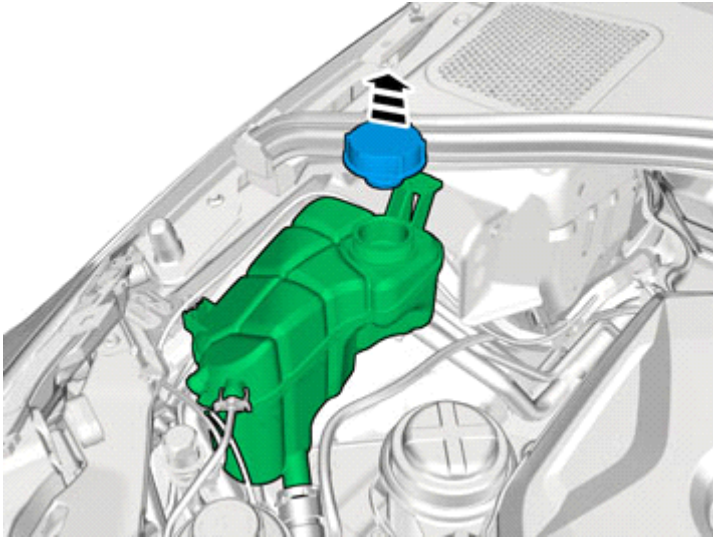
4

Set the ignition key to position 0.



IMG-332193

5



IMG-351277

6

Turn the wheel inwards.



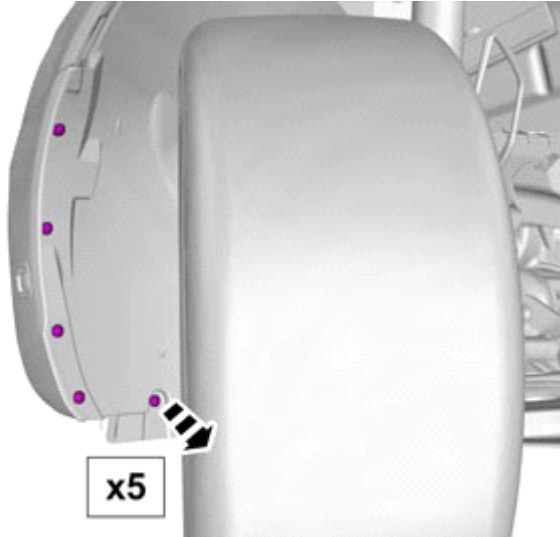
IMG-380509



Installation instructions, accessories

Volvo Car Corporation Gothenburg, Sweden

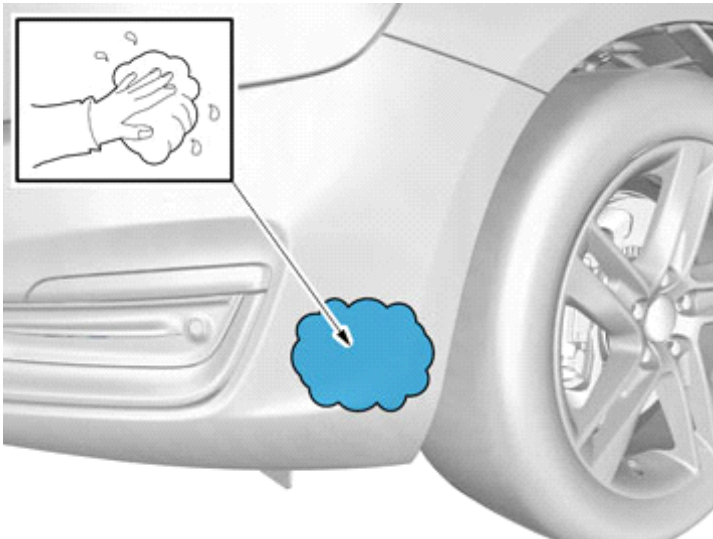
7



IMG-380511

Remove the screws.

8



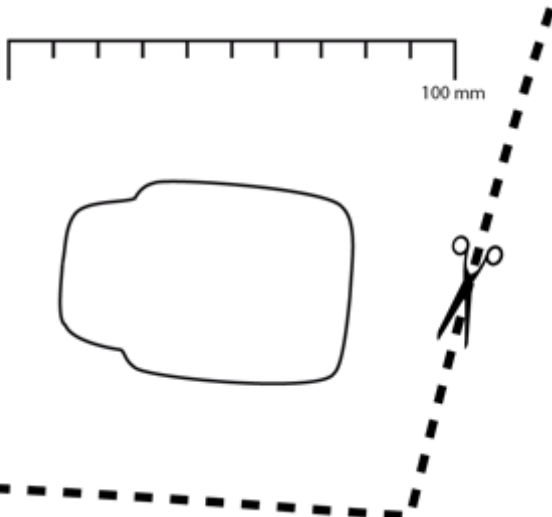
IMG-378206

Clean the Bumper Cover surface.

Use: , soap solution

9

S60 (11-) 2014-
V60 2014-



IMG-378210

Note!

Check that the bar scale is correct.

Use the template in the installation instructions.

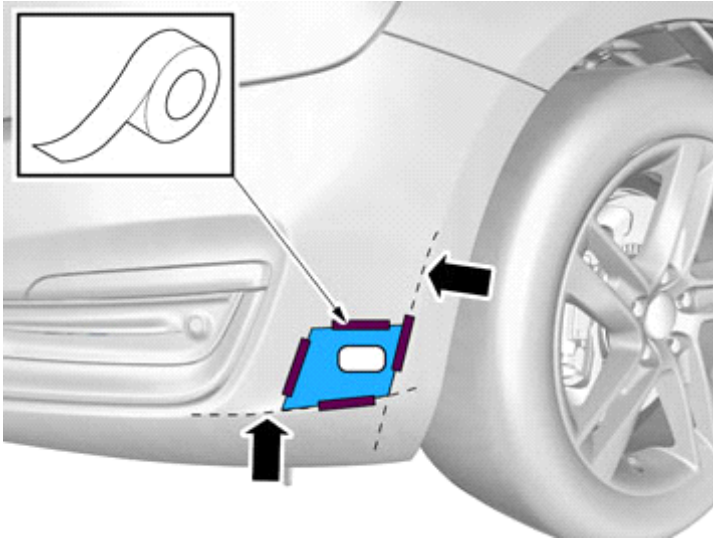
Cut following the dotted lines.



Installation instructions, accessories

Volvo Car Corporation Gothenburg, Sweden

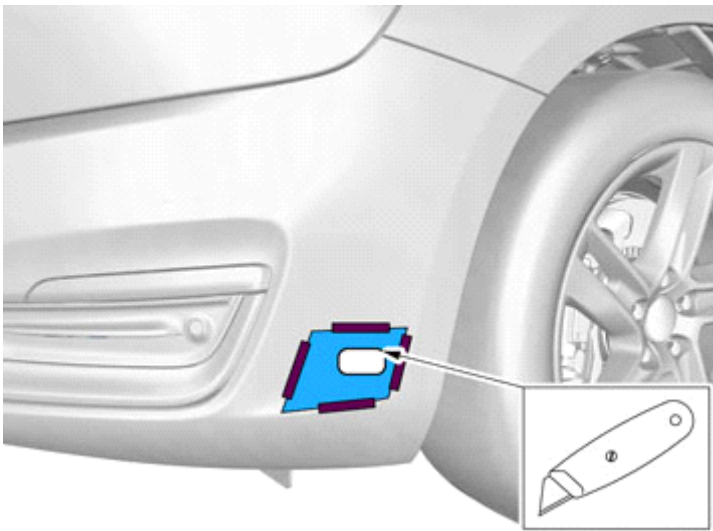
10



IMG-378213

Secure the template with tape.

11



IMG-378214

Caution!
Cut carefully to avoid unintentional damage or personal injury.

Adjust the hole with a file or knife as necessary.

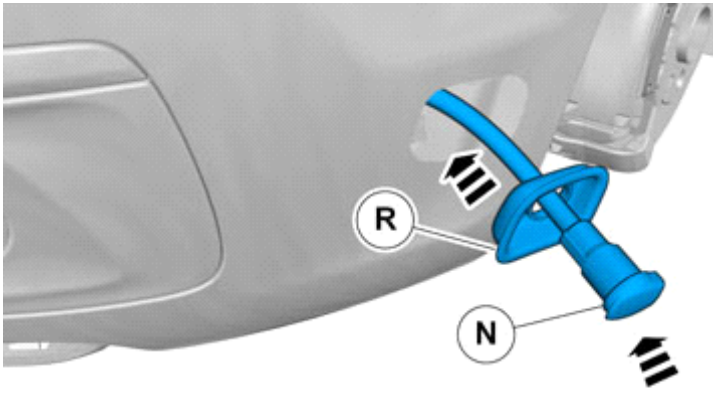
Accessory installation



Installation instructions, accessories

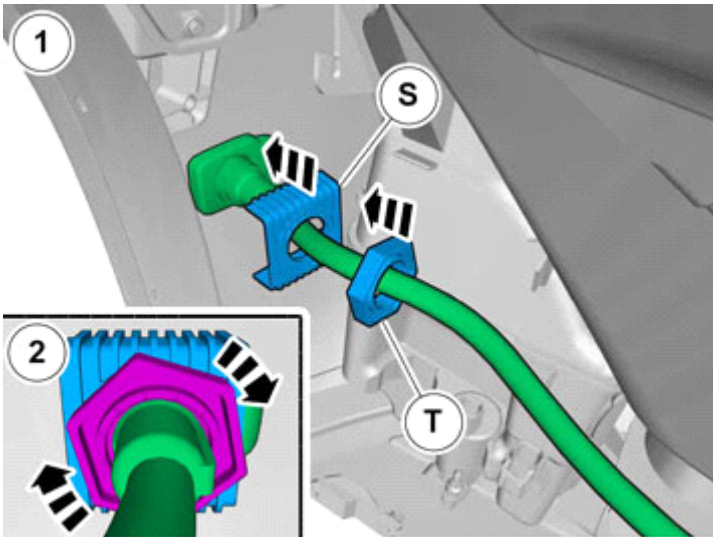
Volvo Car Corporation Gothenburg, Sweden

12



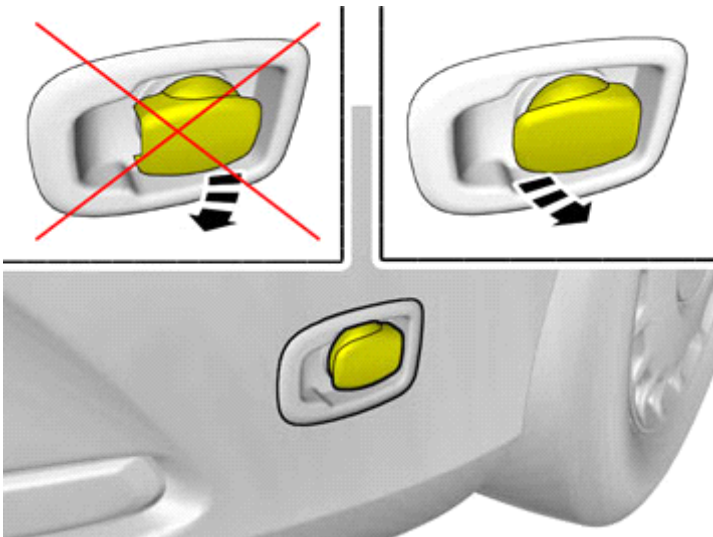
IMG-380921

13



IMG-380276

14

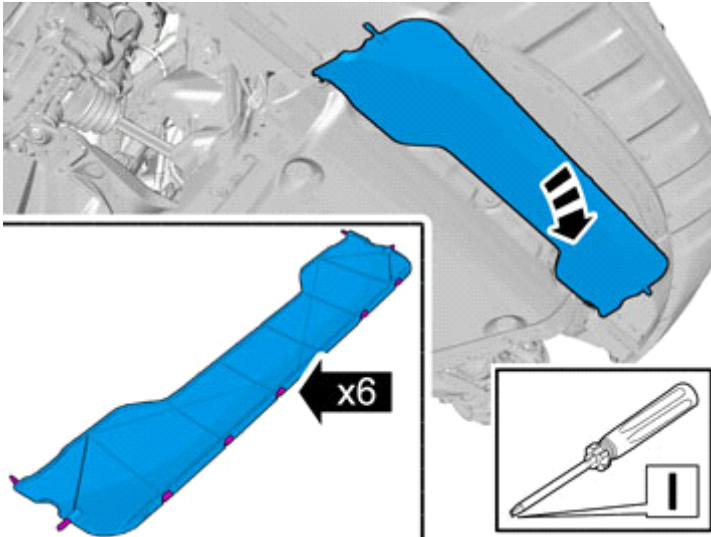


IMG-363401



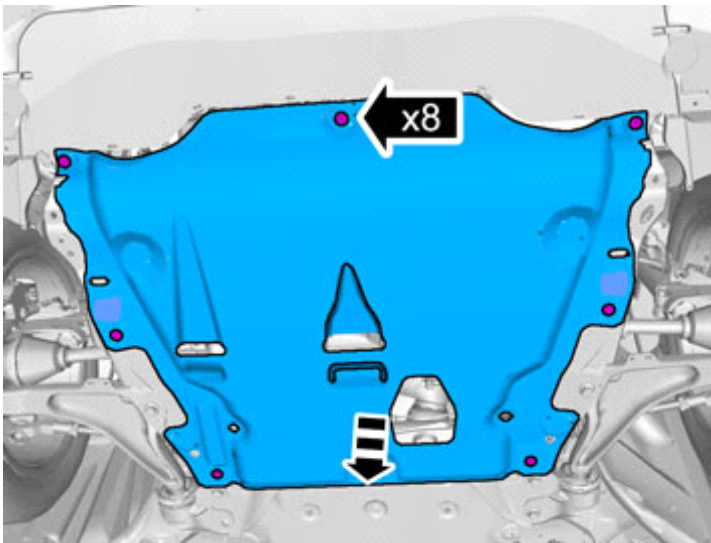
Removal

15



IMG-351435

16



IMG-340576

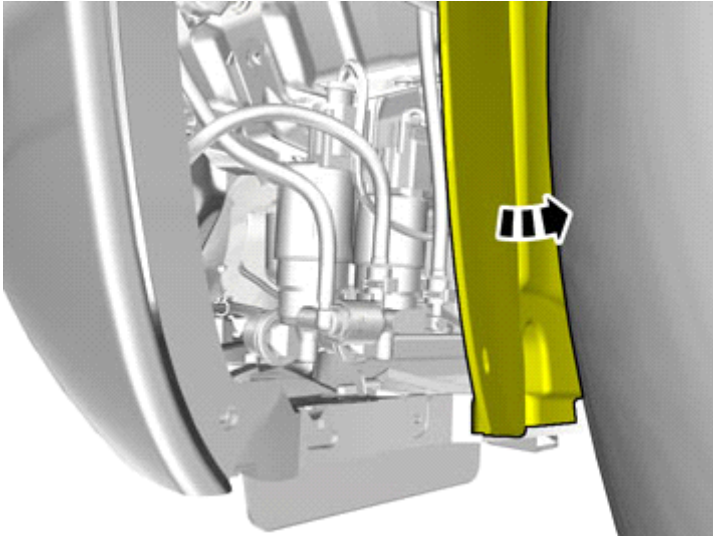
Remove the screws.



Installation instructions, accessories

Volvo Car Corporation Gothenburg, Sweden

17

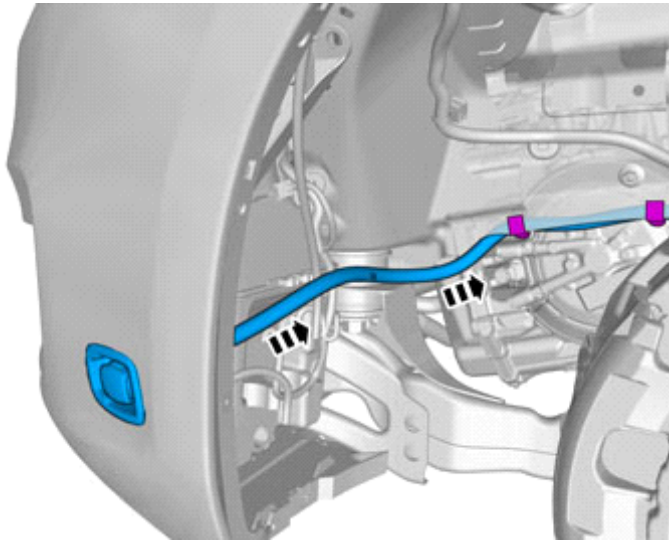


IMG-341914

Fold the wing liner to one side.

Accessory installation

18



IMG-380946

Caution!

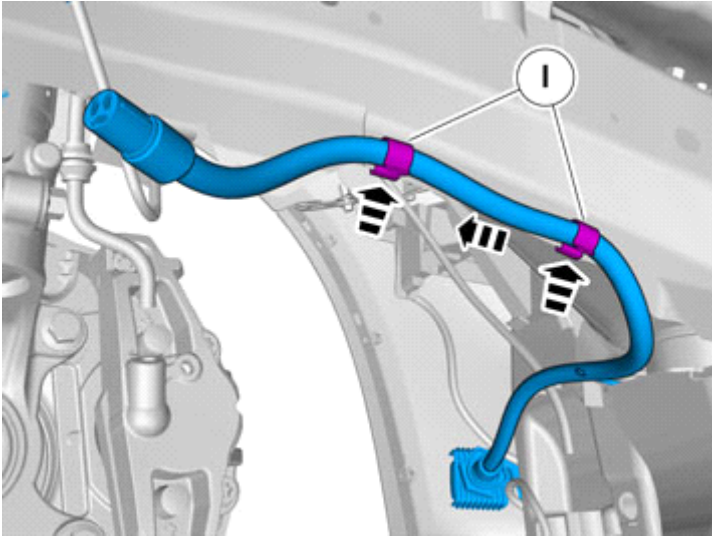
Ensure that the wire or wiring harness cannot rub against adjacent components.



Installation instructions, accessories

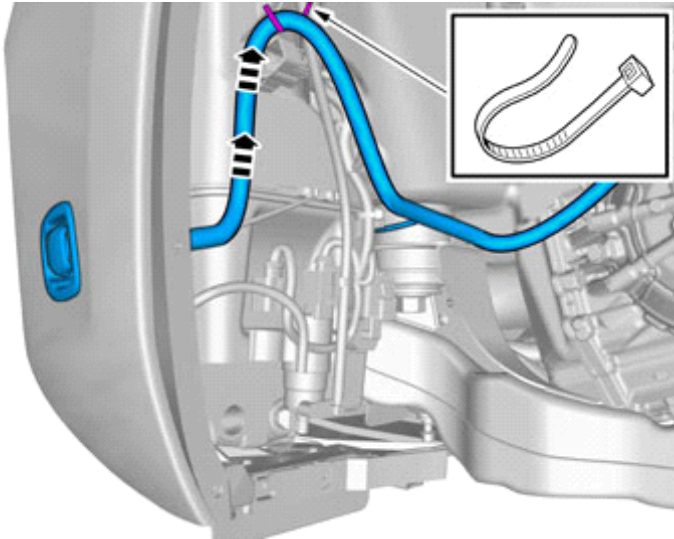
Volvo Car Corporation Gothenburg, Sweden

19



IMG-380949

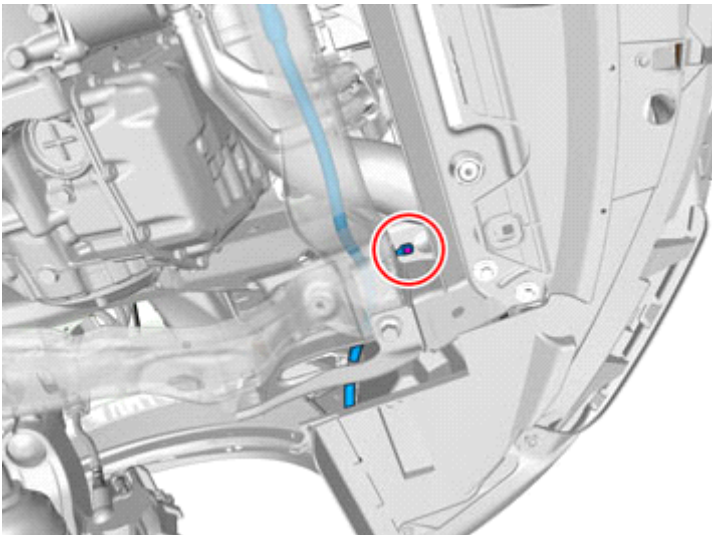
20



IMG-381753

Attach any excess wire to the wiring harness.

21



IMG-380107

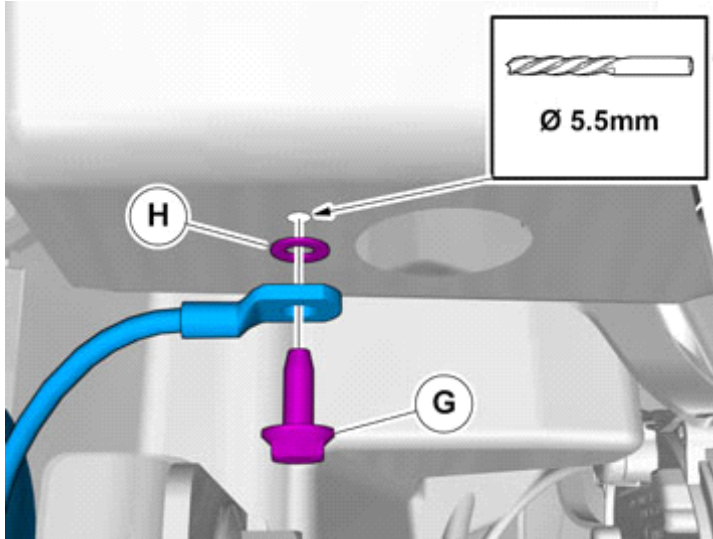
Note!
Orientation view



Installation instructions, accessories

Volvo Car Corporation Gothenburg, Sweden

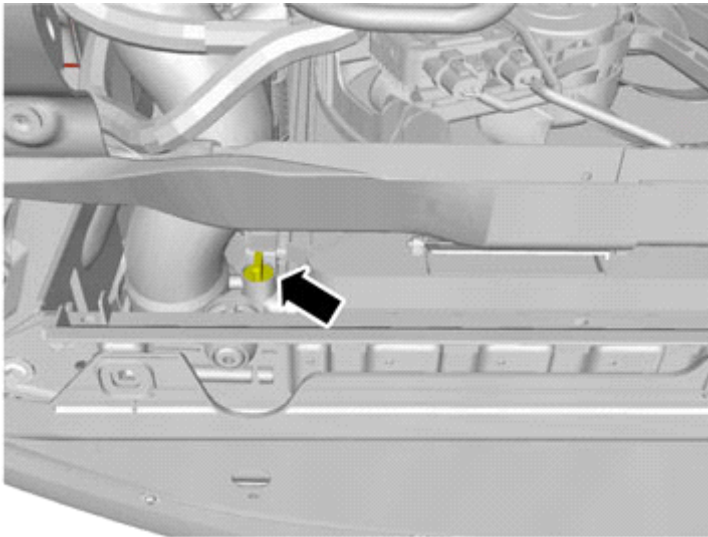
22



IMG-380106

Removal

23



IMG-316303

Place a container under the car.

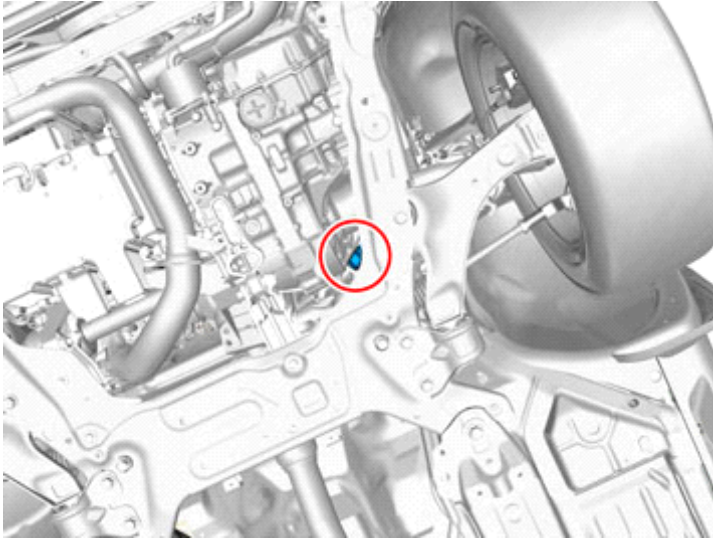
Drain the coolant.



Installation instructions, accessories

Volvo Car Corporation Gothenburg, Sweden

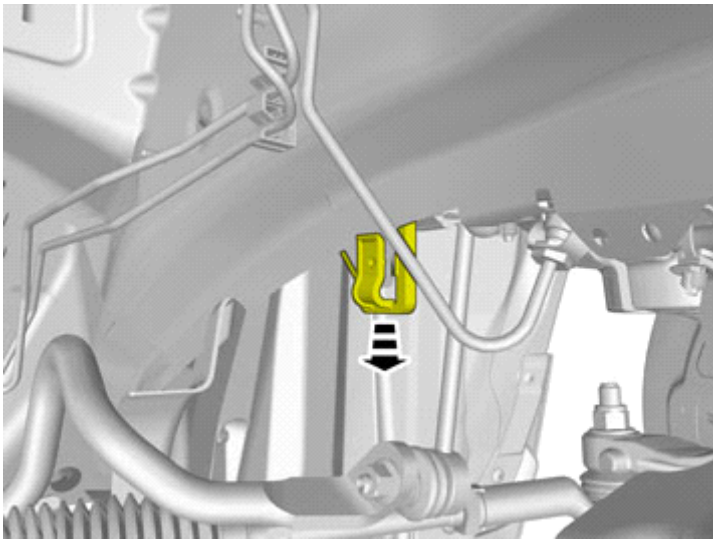
24



IMG-380708

Note!
Orientation view

25



IMG-380929

Loosen the clip.

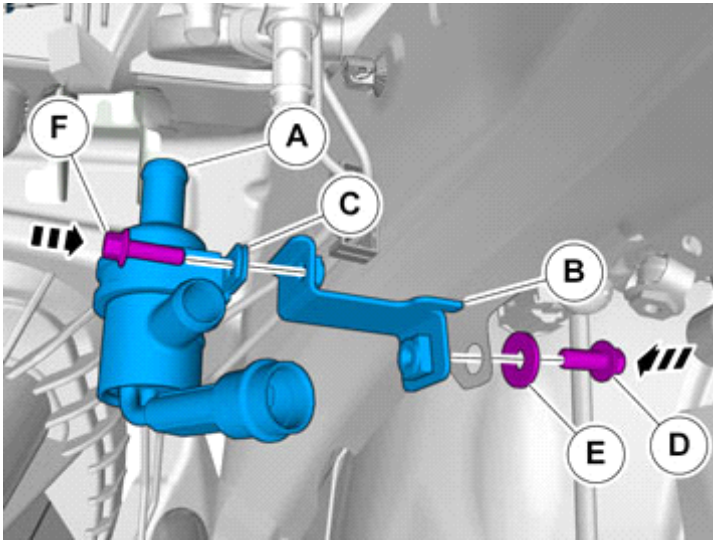
Accessory installation



Installation instructions, accessories

Volvo Car Corporation Gothenburg, Sweden

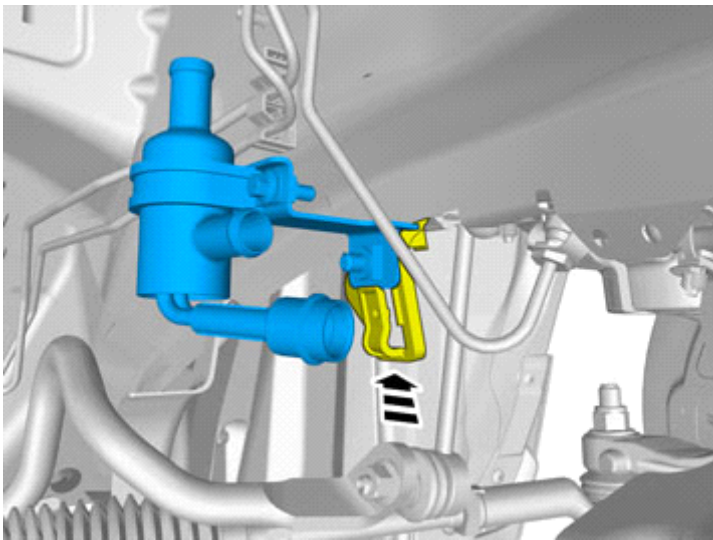
26



IMG-380284

Installation

27



IMG-380928

Install the clip(s).

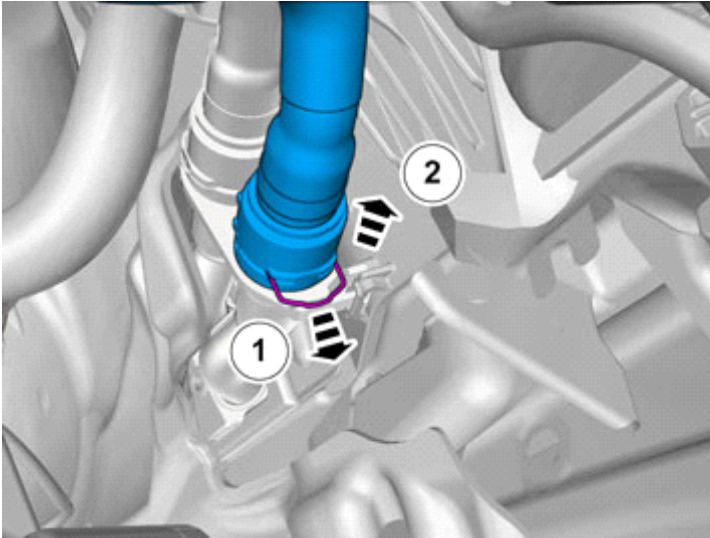
Removal



Installation instructions, accessories

Volvo Car Corporation Gothenburg, Sweden

28



IMG-380706

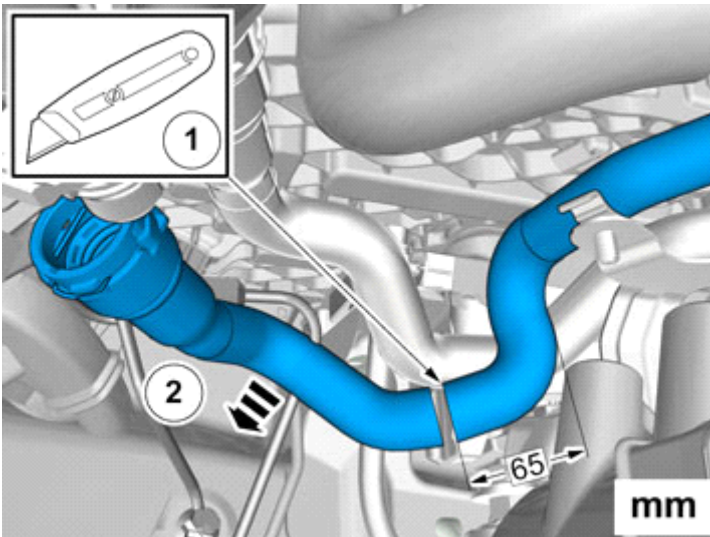
Warning!

Be prepared to collect escaping fluid.

Loosen the clip.

Remove the hose.

29



IMG-380711

Remove the hose.

The part is not to be reused.

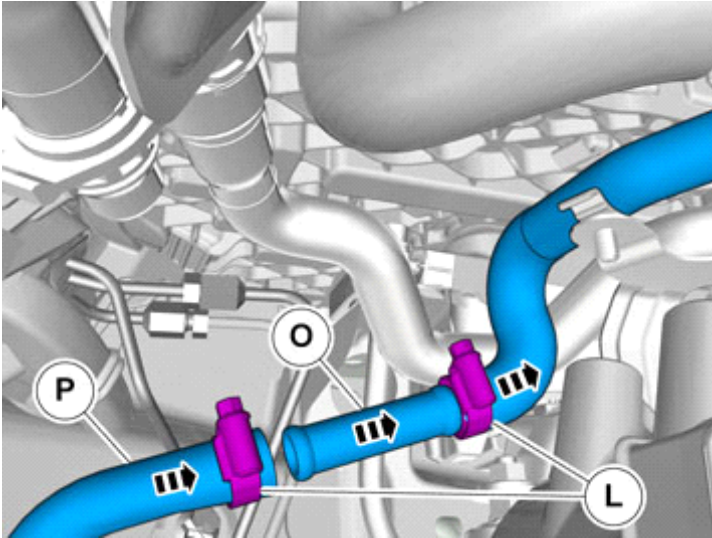
Accessory installation



Installation instructions, accessories

Volvo Car Corporation Gothenburg, Sweden

30

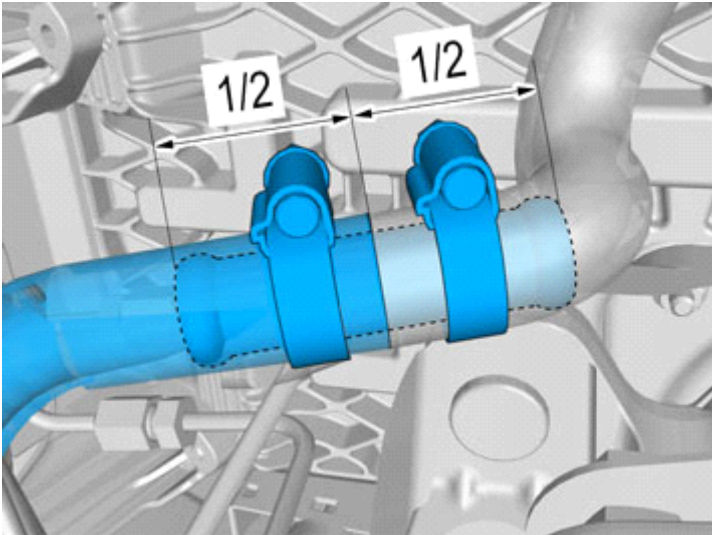


IMG-380811

Install the hose.

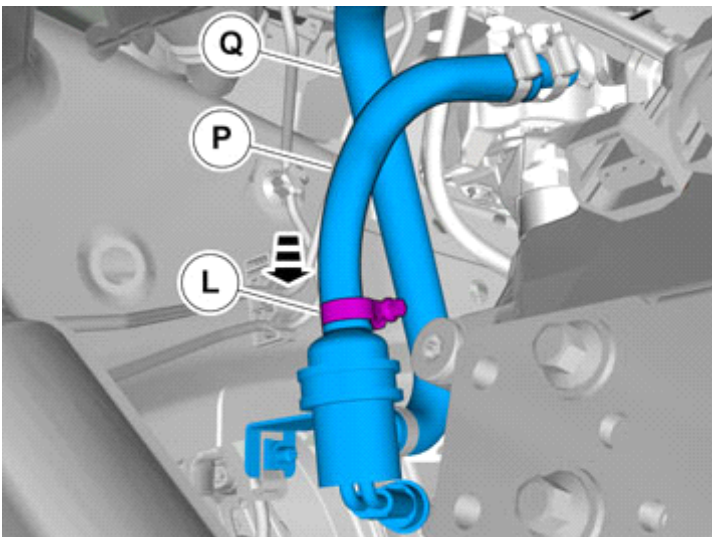
Tighten the hose clamps.

31



IMG-381572

32



IMG-380813

Install the hose.

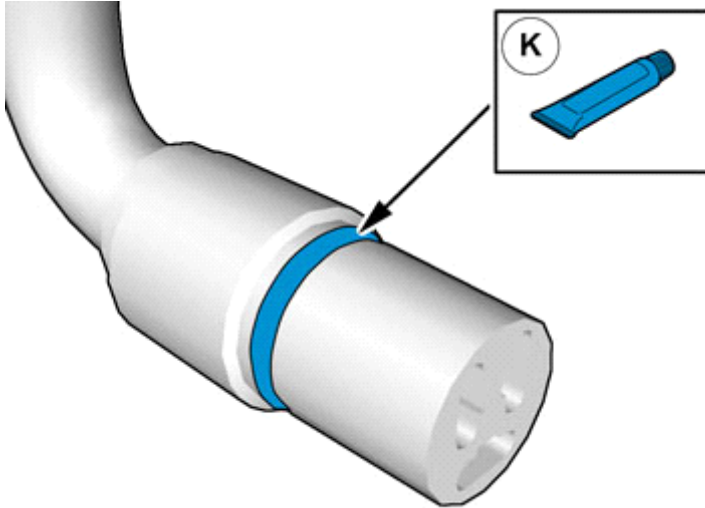
Tighten the hose clamp.



Installation instructions, accessories

Volvo Car Corporation Gothenburg, Sweden

33



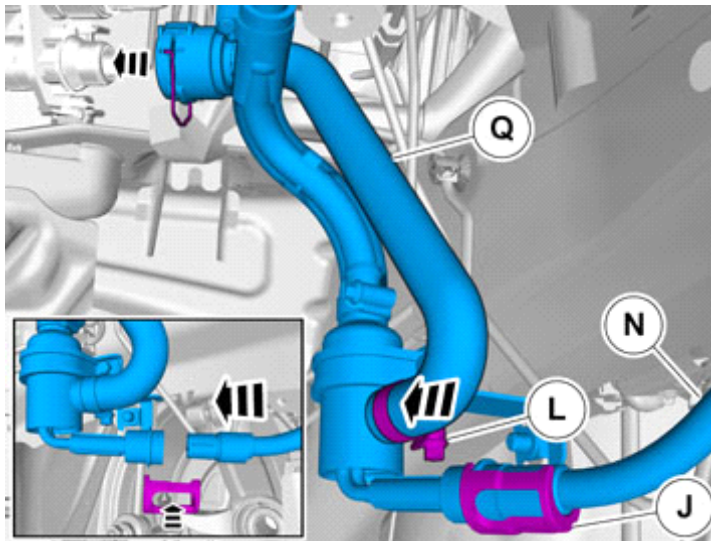
Caution!
No grease on contact surfaces.

Lubricate the O-ring.

Use: 1161761, Grease

IMG-362914

34



Install the hose.

Tighten the hose clamp.

Connect the prerouted cable.

Install the catch.

IMG-380814

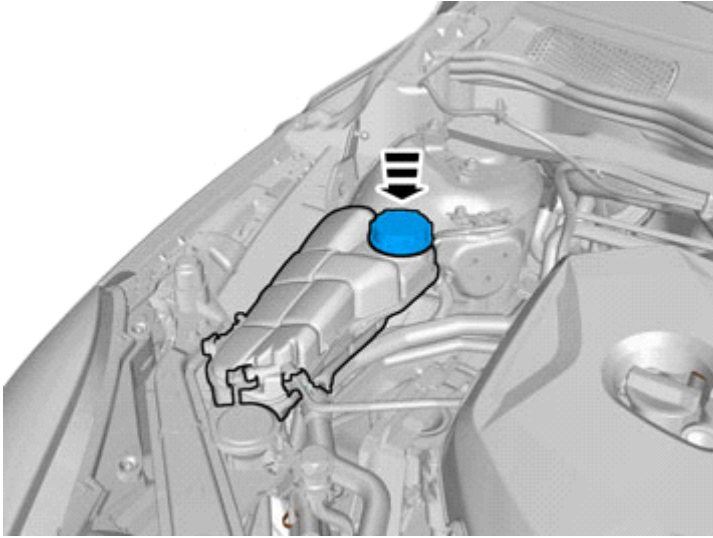
Installation



Installation instructions, accessories

Volvo Car Corporation Gothenburg, Sweden

35



IMG-363206

Reinstall the removed parts in reverse order.

Fill with coolant and run the engine to operating temperature.

Vent the cooling system and check for leakage.

Post-fill the cooling system if necessary.